

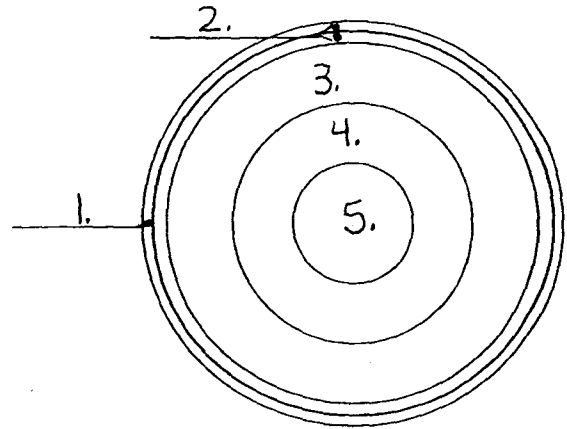
Name: _____

Period: _____

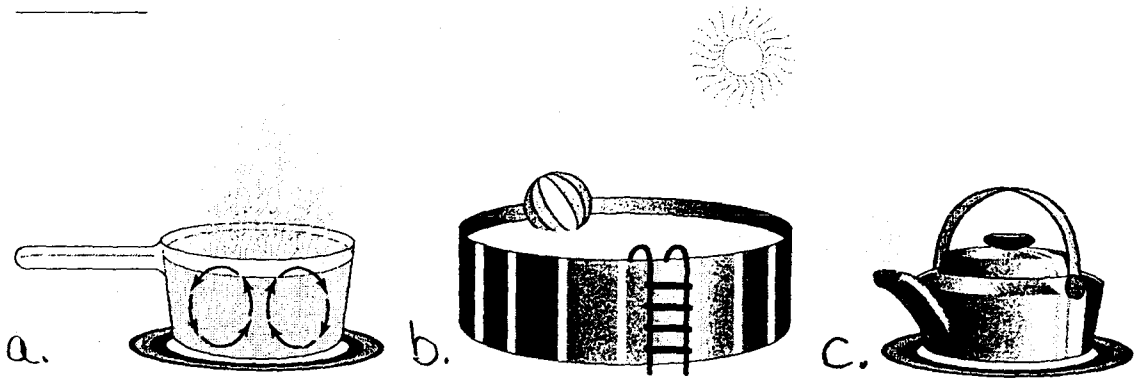
Earth's Movement and Plate Tectonics

Label the layers of Earth by writing the name of the layer in the blank.

- 1. _____
- 2. _____
- 3. _____
- 4. _____
- 5. _____

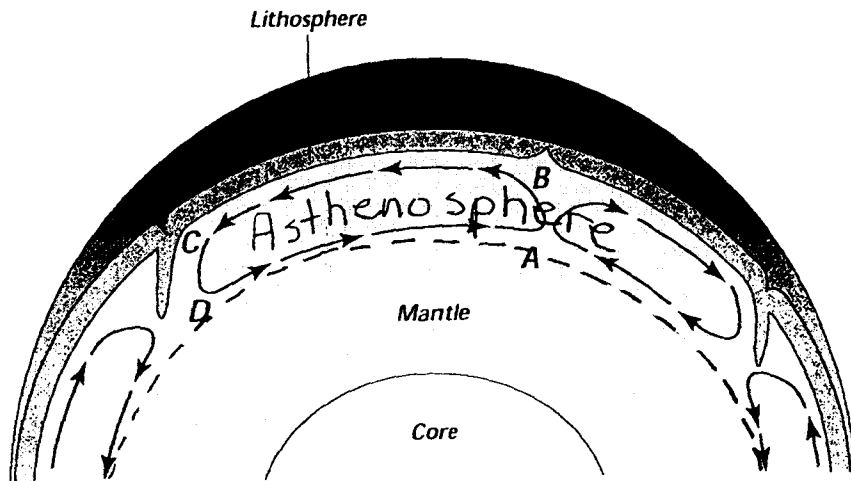


6. Which of the following pictures below represent the ideal of convection currents?



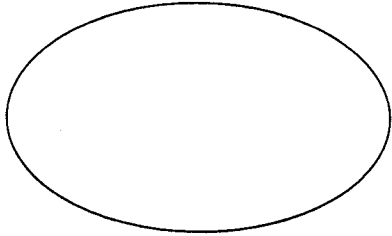
7. What causes convection currents?

8. What layer of the Earth do convection currents occur in? _____

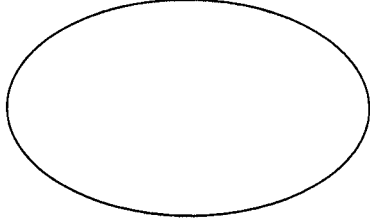


Heat Transfer:
Movement of heat from the _____ object to
the _____ object.

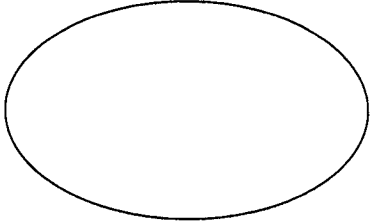
The three types of heat transfer are:



When _____ waves
travel through space. The waves
transfer the _____ to the
object. These waves travel through
_____ space.



Transfer of heat between two
substances that are in _____
contact with each other (touching).



The _____ and down
movement of gases and
_____, causing
heat transfer. As some-
thing is heated it _____,
because it is _____
dense. As it cools, it
_____ because it is
_____ dense. This is
called _____.

The movement of energy from a warmer object to a cooler object is called _____

There are three types of heat transfer: _____, _____, _____.

The transfer of energy through empty space is called _____.

Sunlight is _____ that warms Earth's surface. This type of heat transfer takes place with **no direct contact between a heat source and an object**. This enables sunlight to warm Earth's surface.

Heat transfer by direct contact of particles of matter is called _____.

Heat transfer involving the movement of fluids—liquids and gases—is called _____; is heat transfer by the movement of a heated fluid. During _____, heated particles of fluid begin to flow, transferring heat energy from one part of the fluid to another. **The heating and cooling of the fluid, changes in the fluid's density, and the force of gravity combine to set convection currents in motion.** Convection currents continue as long as heat is added. What happens after the heat source is removed? Without heat, the convection currents will eventually stop when all of the material has reached the same temperature.

The movement of energy from a warmer object to a cooler object is called _____

There are three types of heat transfer: _____, _____, _____.

The transfer of energy through empty space is called _____.

Sunlight is _____ that warms Earth's surface. This type of heat transfer takes place with **no direct contact between a heat source and an object**. This enables sunlight to warm Earth's surface.

Heat transfer by direct contact of particles of matter is called _____.

Heat transfer involving the movement of fluids—liquids and gases—is called _____; is heat transfer by the movement of a heated fluid. During _____, heated particles of fluid begin to flow, transferring heat energy from one part of the fluid to another. **The heating and cooling of the fluid, changes in the fluid's density, and the force of gravity combine to set convection currents in motion.** Convection currents continue as long as heat is added. What happens after the heat source is removed? Without heat, the convection currents will eventually stop when all of the material has reached the same temperature.

The movement of energy from a warmer object to a cooler object is called _____

There are three types of heat transfer: _____, _____, _____.

The transfer of energy through empty space is called _____.

Sunlight is _____ that warms Earth's surface. This type of heat transfer takes place with **no direct contact between a heat source and an object**. This enables sunlight to warm Earth's surface.

Heat transfer by direct contact of particles of matter is called _____.

Heat transfer involving the movement of fluids—liquids and gases—is called _____; is heat transfer by the movement of a heated fluid. During _____, heated particles of fluid begin to flow, transferring heat energy from one part of the fluid to another. **The heating and cooling of the fluid, changes in the fluid's density, and the force of gravity combine to set convection currents in motion.** Convection currents continue as long as heat is added. What happens after the heat source is removed? Without heat, the convection currents will eventually stop when all of the material has reached the same temperature.

The movement of energy from a warmer object to a cooler object is called _____

There are three types of heat transfer: _____, _____, _____.

The transfer of energy through empty space is called _____.

Sunlight is _____ that warms Earth's surface. This type of heat transfer takes place with **no direct contact between a heat source and an object**. This enables sunlight to warm Earth's surface.

Heat transfer by direct contact of particles of matter is called _____.

Heat transfer involving the movement of fluids—liquids and gases—is called _____; is heat transfer by the movement of a heated fluid. During _____, heated particles of fluid begin to flow, transferring heat energy from one part of the fluid to another. **The heating and cooling of the fluid, changes in the fluid's density, and the force of gravity combine to set convection currents in motion.** Convection currents continue as long as heat is added. What happens after the heat source is removed? Without heat, the convection currents will eventually stop when all of the material has reached the same temperature.